

4

3

2

1

F

F

E

E

D

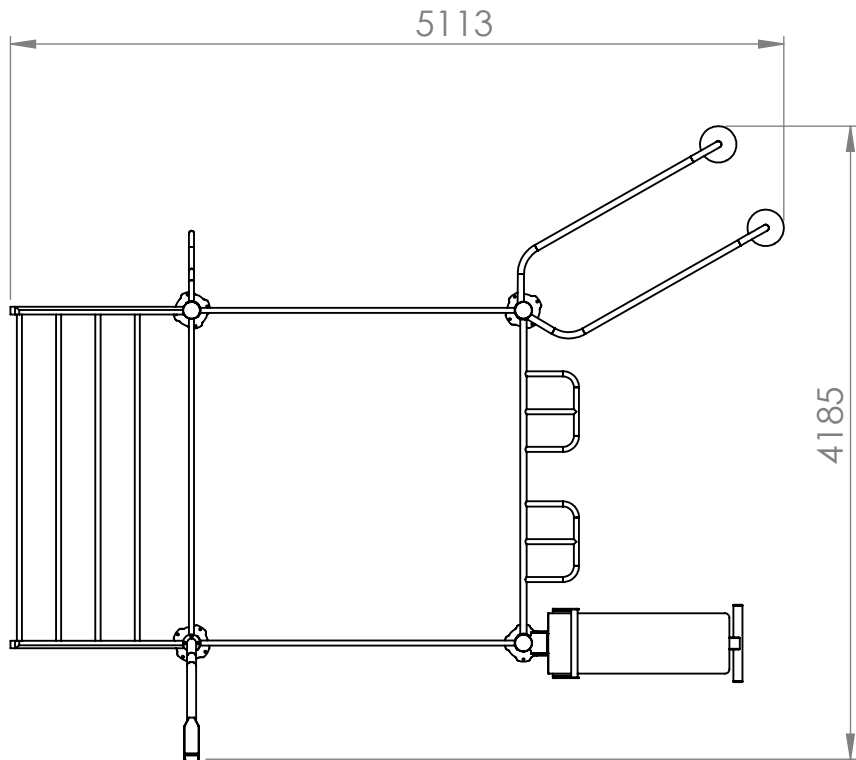
D

C

C

B

B



UNLESS OTHERWISE SPECIFIED:
 DIMENSIONS ARE IN MILLIMETERS
 SURFACE FINISH:
 TOLERANCES:
 LINEAR:
 ANGULAR:

FINISH:

DEBURR AND
 BREAK SHARP
 EDGES

DO NOT SCALE DRAWING

REVISION

| | NAME | SIGNATURE | DATE | | |
|--------|------|-----------|------|--|--|
| DRAWN | | | | | |
| CHK'D | | | | | |
| APPV'D | | | | | |
| MFG | | | | | |
| Q.A | | | | | |
| | | | | | |
| | | | | | |
| | | | | | |
| | | | | | |

TITLE:

MATERIAL:

DWG NO.

SPF-1014

A4

WEIGHT:

SCALE:1:100

SHEET 1 OF 1

4

3

2

1

A

A